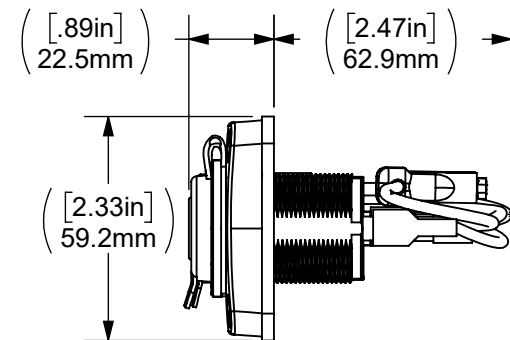
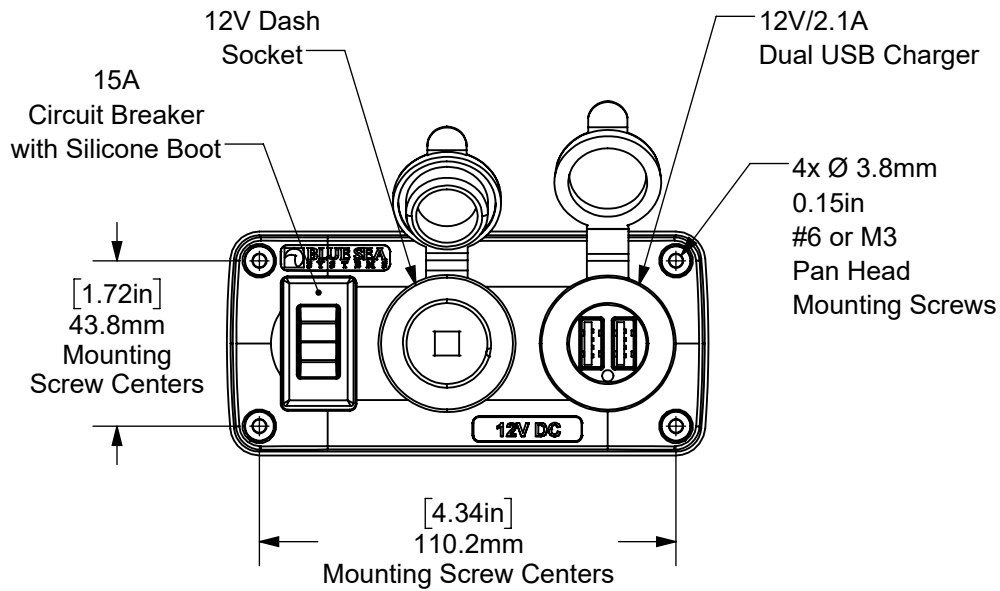
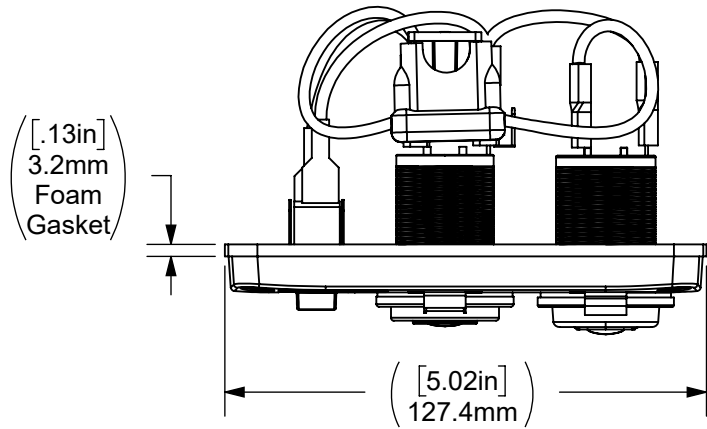


THIS DRAWING AND THE INFORMATION CONTAINED WITHIN IT ARE CONFIDENTIAL AND MAY NOT BE COPIED OR DISCLOSED WITHOUT THE WRITTEN PERMISSION OF BLUE SEA SYSTEMS.



THIRD ANGLE PROJECTION



**BLUE SEA SYSTEMS**

4600 Ryzex Way Bellingham, WA 98226  
Phone (360)738-8230 Fax (360)734-4195

4353 - Water Resistant Accessory Panel  
15A Circuit Breaker, 12V Socket,  
2.1 Dual USB Charger

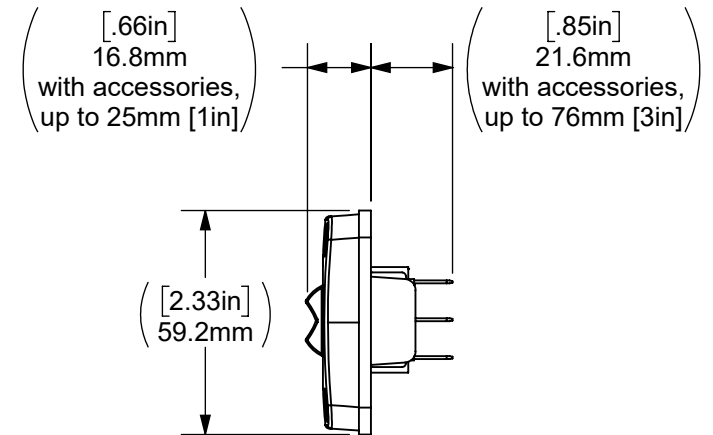
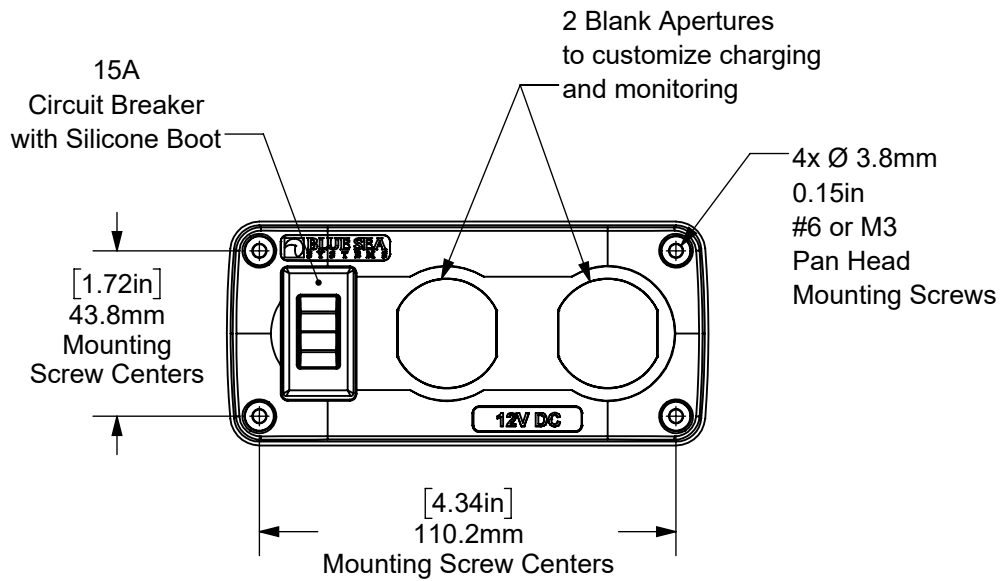
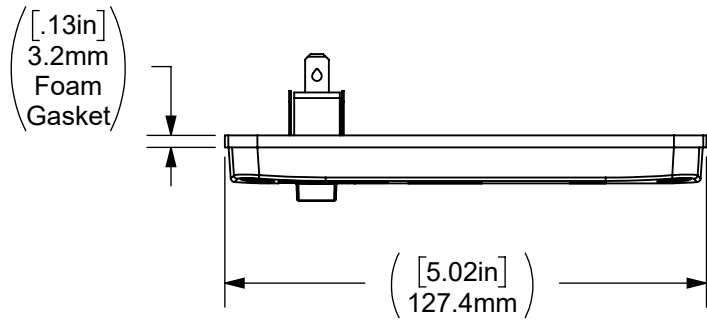
SIZE DWG. NO. 4363 - Customer Drawing

REV. 1

SCALE 1:2 WEIGHT: --

SHEET 1 OF 3

THIS DRAWING AND THE INFORMATION CONTAINED WITHIN IT ARE CONFIDENTIAL AND MAY NOT BE COPIED OR DISCLOSED WITHOUT THE WRITTEN PERMISSION OF BLUE SEA SYSTEMS.



THIRD ANGLE PROJECTION



**BLUE SEA SYSTEMS**

4600 Ryzex Way Bellingham, WA 98226  
Phone (360)738-8230 Fax (360)734-4195

4354 - Water Resistant Accessory Panel  
15A Circuit Breaker, 2 Blank Apertures

SIZE DWG. NO. **4364 - Customer Drawing**

REV. **1**

SCALE 1:2 WEIGHT: --

SHEET 2 OF 3

# 4363, 4364 Cutout Options

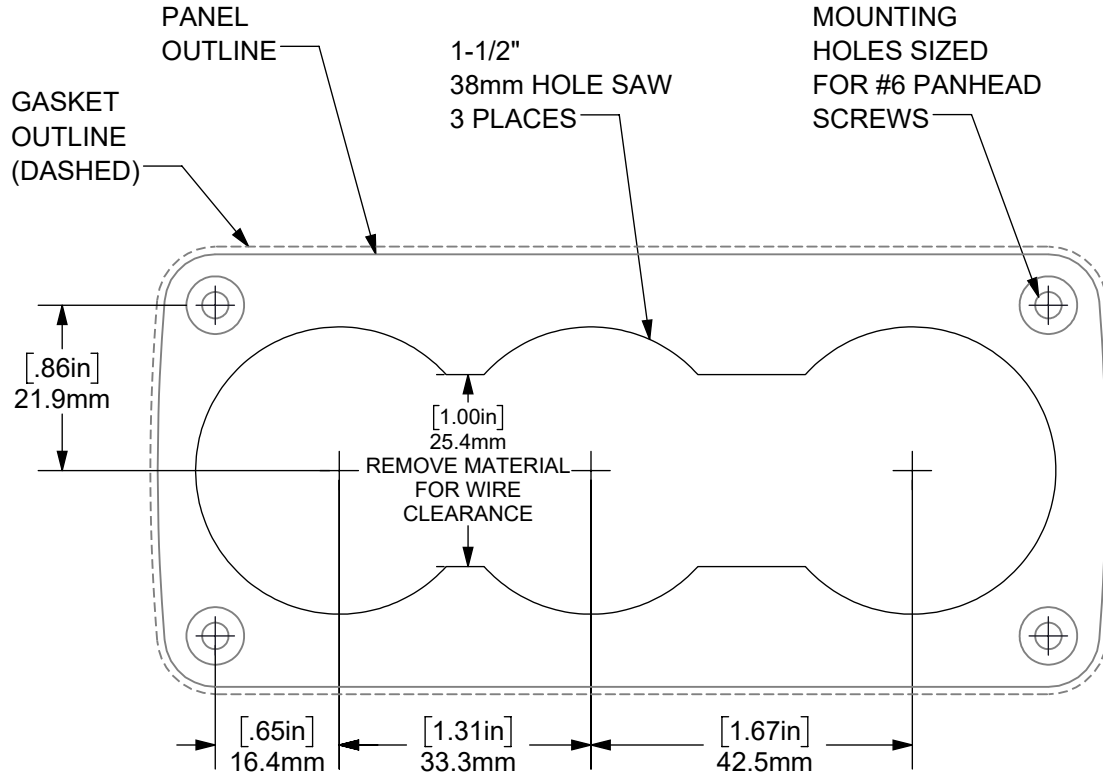
Drawings are 1:1

Page Size is 8.5in x 11in

Due to variations in printers, cutouts are not assured to be to scale

For best results, print using "Actual Size" option, and verify dimensions of printout before using as template

## MOUNTING CUTOUT OPTION #1



## MOUNTING CUTOUT OPTION #2

