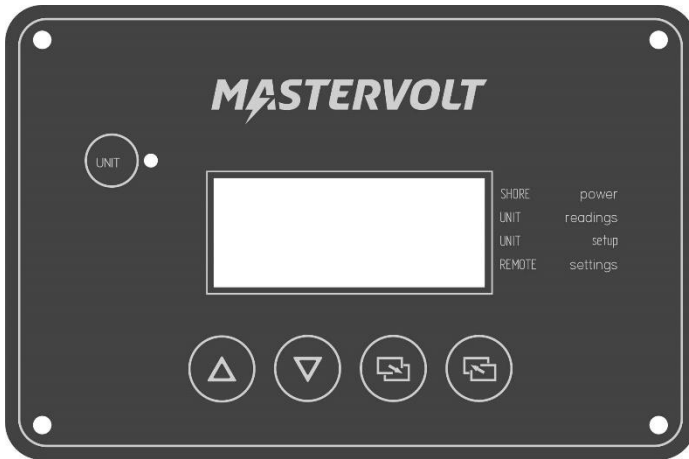




PowerCombi Remote Control

Panel for the PowerCombi Inverter/Charger



USER AND INSTALLATION MANUAL

10000015294/03

1. General information

This manual serves as a guideline for the safe and effective installation and operation of the PowerCombi Remote Control.

2. Safety instructions



WARNING!

Read the entire manual before using the PowerCombi Remote Control. Keep this manual in a secure place.

- Use the PowerCombi Remote Control following the instructions and specifications stated in this manual.
- Only use the PowerCombi Remote Control in a technical correct condition.
- Do not connect the PowerCombi Remote Control to any other product than the Mastervolt PowerCombi Inverter/Charger.
- Do not work on an electrical system if it is still connected to a power source. Only allow changes in the electrical system to be carried out by qualified electricians.

3. Liability

Mastervolt cannot be held liable for:

- Consequential damage resulting from the use of the PowerCombi Remote Control.
- Possible errors in the included manual and the consequences of these.
- Use that is inconsistent with the purpose of the product.

4. Disclaimer

Our products are subject to continual development and improvement. Therefore, additions or modifications to the products may cause changes to the technical data and functional specifications. No rights can be derived from this document. Please consult our most current Terms & Conditions of Sale.

5. Warranty

Mastervolt assures the product warranty of the PowerCombi Remote Control during two years after purchase, on the condition that the product is installed and used according to the instructions in this manual. Installation or use not according to these instructions may result in under performance, damage or failure of the product and may void this warranty. The warranty is limited to the cost of repair and/or replacement of the product. Costs of labor or shipping are not covered by this warranty.

6. Correct disposal of this product



This product is designed and manufactured with high quality materials and components, which can be recycled and reused. When this crossed-out wheeled bin symbol is attached to a product, it means the product is covered by the European Directive 2012/19/EU.

Please be informed about the local separate collection system for electrical and electronic products.

Please act according to your local rules and do not dispose of your old products with your normal household waste. The correct disposal of your old product will help prevent potential negative consequences to the environment and human health.

7. Product description

The PowerCombi Remote Control is designed as system control panel for the PowerCombi Inverter/Charger. It connects directly to the Inverter/Charger.

Front panel overview

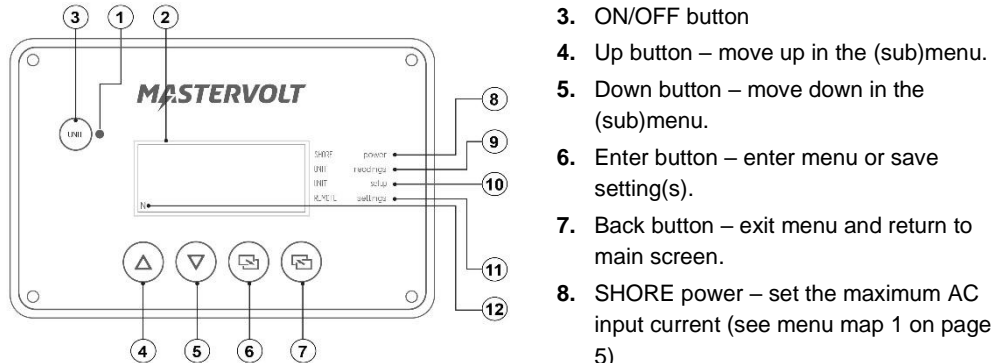


Figure 1. PowerCombi Remote Control front panel

1. LED indicator – provides the Inverter/Charger status
 - Solid green: Inverter/Charger on
 - Off: Inverter/Charger off
 - Solid red: Error
2. LCD display – used for setting up the Inverter/Charger operation, as well as viewing current status or fault messages
3. ON/OFF button
4. Up button – move up in the (sub)menu.
5. Down button – move down in the (sub)menu.
6. Enter button – enter menu or save setting(s).
7. Back button – exit menu and return to main screen.
8. SHORE power – set the maximum AC input current (see menu map 1 on page 5)
9. UNIT readings – This item shows DC, Grid INPUT and INV OUT, FAULT condition (see menu map 2 on page 5)
10. UNIT setup – set the Inverter/Charger options (see menu map 2 on page 5)
11. REMOTE settings – set the panel options (see menu map 4 on page 6)
12. *currently not used*

Identification label



← Serial number

← Part number



CAUTION!

Never remove the identification label.

Important information required for service or maintenance can be derived from the identification label. The identification label is located at the rear side of the PowerCombi Remote Control.

8. Installation

Unpacking

This product comes with the following items:

- PowerCombi Remote Control
- RJ11 straight through cable 50ft [15m]
- Mounting screws (4 x Philips)
- User manual.

After unpacking, check the PowerCombi Remote Control for possible damage. Never use a damaged PowerCombi Remote Control. If in doubt, contact your supplier or Mastervolt.

Location

- The PowerCombi Remote Control is designed for indoor use only.
- The remote must be located within 50ft of the Inverter/Charger.
- Make sure there is sufficient space behind the PowerCombi Remote Control for the cable connection. See Figure 3 on page 7 for dimensions.
- Make sure the front panel is easy accessible and readable.
- Always check for existing electrical, pipes, etc. before drilling or cutting into walls.

Mounting instructions

Step 1. Cut an opening in the mounting surface according to the dimensions given in Figure 3.

Step 2. Use the PowerCombi Remote Control to mark the holes for the screws.

Step 3. Drill 4 holes for the mounting screws.

Step 4. Connect the supplied RJ11 cable to the back of the PowerCombi Remote Control and then connect to the remote port at the DC side of the Inverter/Charger. See Figure 2.

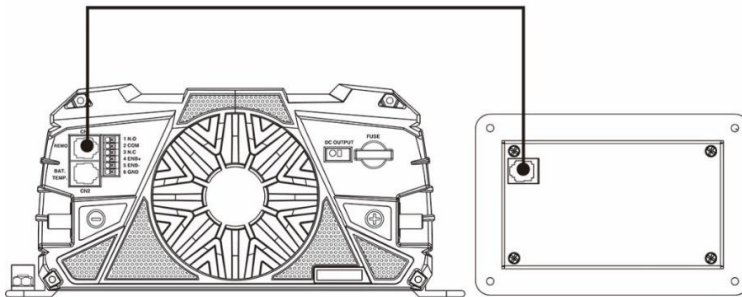


Figure 2. Connect the RJ11 cable

Step 5. Set the main switch of the PowerCombi Inverter/Charger in the remote position (⇐).

Step 6. Press the ON/OFF button and check if the PowerCombi Remote Control powers up (assuming the Inverter/Charger is connected to a battery bank). Power-up may take up to 10 seconds.

Step 7. Secure the remote base using the 4 screws provided.



CAUTION!

Only use the supplied cable. Using a different cable could cause permanent damage to the PowerCombi Remote Control and the Inverter/Charger.

9. Operation

The PowerCombi Remote Control is activated by pressing the “ON/OFF” button (item 3 in Figure 1). Note that the main switch of the PowerCombi Inverter/Charger must be in the Remote position (⇒).



WARNING!

Switching the PowerCombi Remote Control to OFF does not cut off the connection to the batteries or the AC power source. This means that the AC output load is still active!

The user interface is controlled by the four buttons located below the display. Use the Up, Down and Enter buttons to navigate through the four sub menus. See section 7 for a description of the buttons.

Menu maps

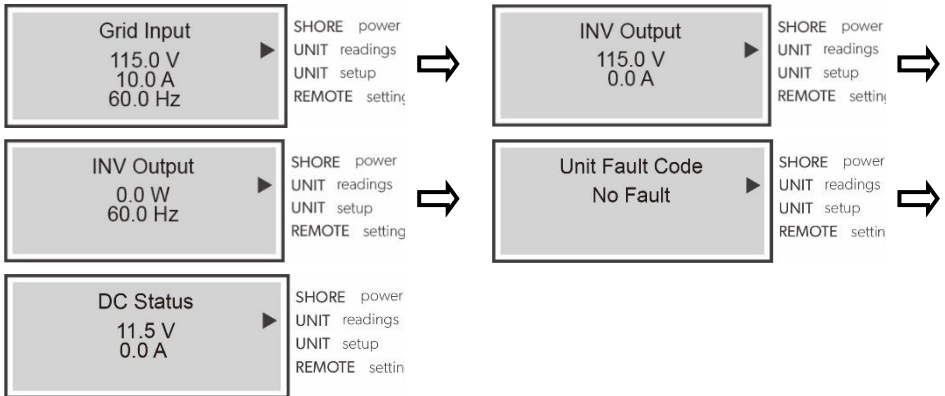
1. Shore power

Use the Up and Down buttons to select SHORE power and press the Enter button.



When the total current used to power the AC loads and to charge the batteries reaches this value, the current that was used for charging the batteries is reduced. This protects the external shore fuse from tripping.

2. Unit readings



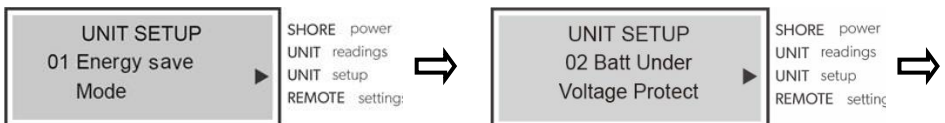
3. Unit setup

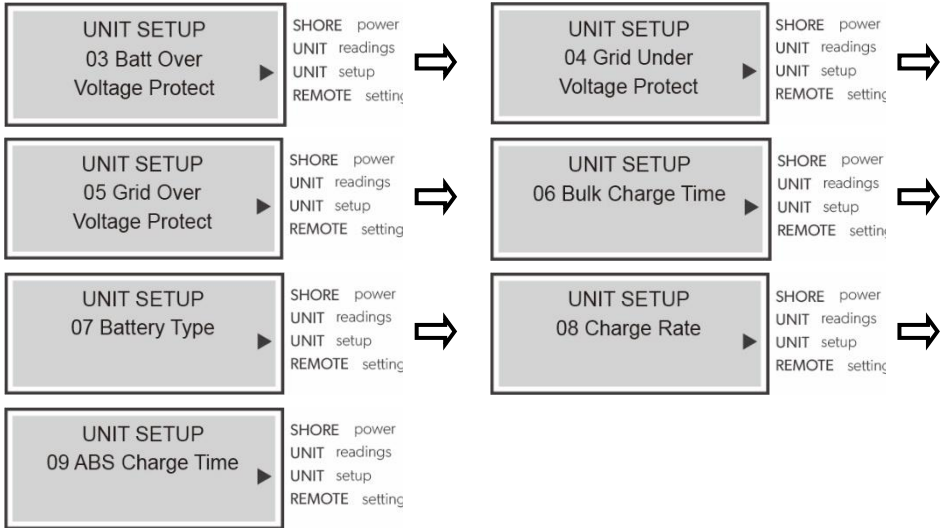


CAUTION!

Invalid settings can cause serious damage to your batteries and/or connected loads! Adjustment of settings must be carried out by authorized personnel only.

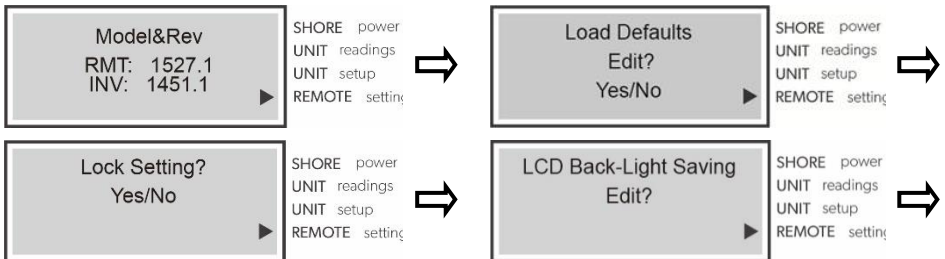
Note: the following settings are locked against adjustments. To unlock, navigate to sub-menu Remote settings and unlock. Make sure to lock the settings again when done.





ITEM	RANGE	Default
SHORE POW. MAX	3A~30A	15A
01 Energy save mode	ON, OFF	OFF
02 Batt Under Voltage Protect	10.00V~11.50V	10.0V
03 Batt Over Voltage Protect	15.00V~16.50V	15.5V
04 Grid Under Voltage Protect	90.0V~110.0V	90V
05 Grid Over Voltage Protect	125.0V~132.0V	132V
06 Bulk Charge Time	0.5Hr~20.0Hr	8.0Hr
07 Battery Type	GEL, FLOOD, AGM1, CUSTOM	FLOOD
08 Charge Rate	25%~100%	100%
09 Abs (absorption) Charge Time	0.5Hr~10.0Hr	4.0Hr

4. Remote setting



Default PIN code; 1224



10. Technical data

Specifications	PowerCombi Remote Control
Product code	77032900
Dimensions L x W x H in mm [inches]	149 x 98 x 31 [5.9 x 3.9 x 1.2]
Weight in g [lb]	500 [1.1]
Allowed operating temperature	0°C to 50°C [32°F to 122°F]
Non-operating (storage) temperature	-20°C to 70°C [-4°F to 158°F]
Relative humidity	Max 93%, non-condensing

The specifications are subject to change without notice.

Dimensions

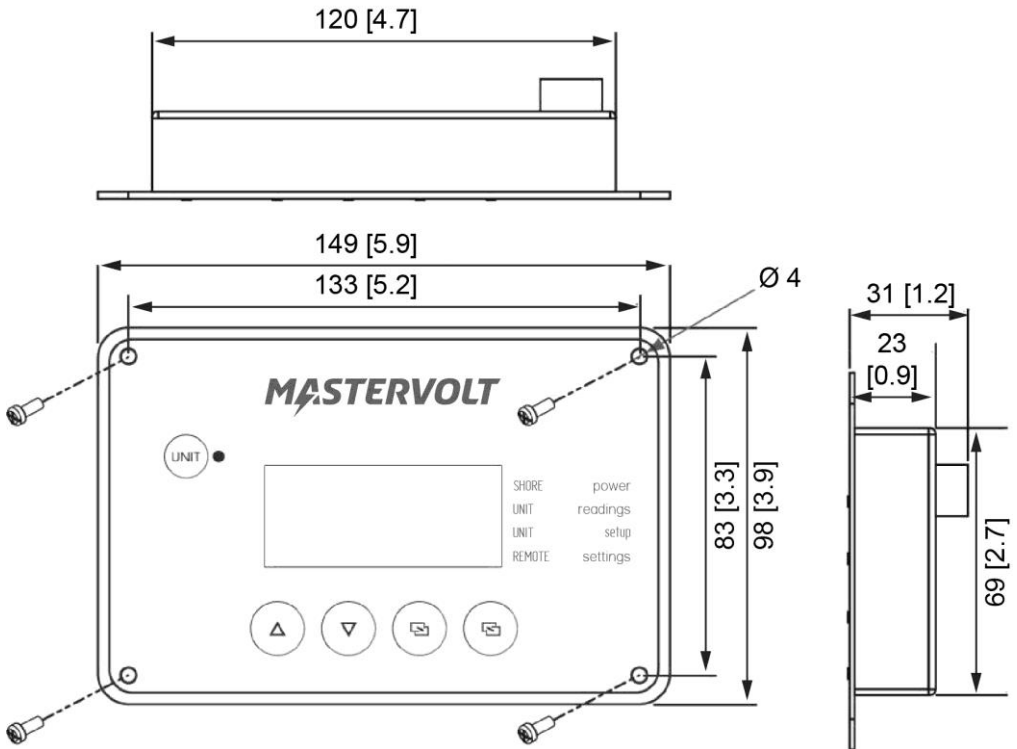


Figure 3. PowerCombi Remote Control Dimensions in mm [inches]

MASTERVOLT

Europe, Middle East & Africa

Customer Service

T: +31 (0) 20 34 22 100

E: info@mastervolt.com

Technical Support

T: +31 (0) 20 34 22 100

E: ts@mastervolt.com

Location & Shipping

Mastervolt

Snijdersbergweg 93

1105 AN Amsterdam

The Netherlands

Americas & Caribbean

Customer Service

T: +1 800 307 6702, Option 1

E: orderentry@marinco.com

Technical Support

T: +1 800 307 6702, Option 2

E: tsusa@mastervolt.com

Location & Shipping

Power Products, LLC

N85 W12545 Westbrook Crossing

Menomonee Falls, Wisconsin 53051

United States

Asia Pacific

Customer Service

T: +64 9 415 7261 Option 1

E: enquiries@bepmarine.com

Technical Support

T: +64 9 415 7261 Option 3

E: technical@bepmarine.com

Location & Shipping

BEP Marine

42 Apollo Drive

Rosedale, Auckland 0632

New Zealand

Copyright © 2020 Mastervolt. All rights reserved.

Reproduction, transfer, distribution or storage of part or all of the contents in this document in any form without the prior written permission of Mastervolt is prohibited