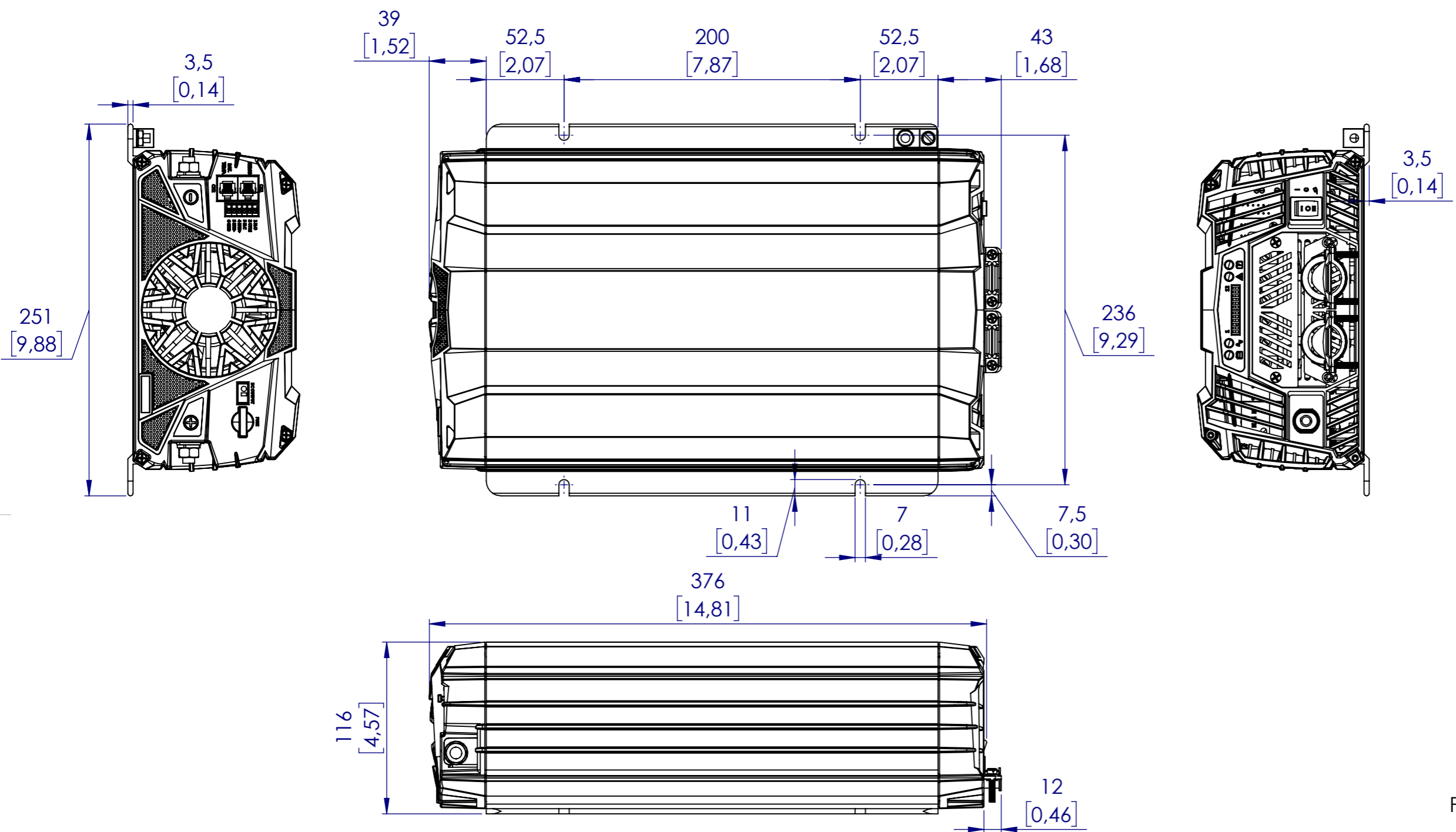



REVISIONS				
ZONE	REV.	DESCRIPTION	DATE	APPROVED
	00	First release	2020-03-27	



Part number: 36211200

Unless otherwise specified. Dimensions are in mm Tolerances: - Linear: ± 0.2mm - Angular: ± 0.5°		Finish:	Debur and break sharp edges.	Status:	Revision 00
<i>DO NOT SCALE DRAWING</i>				Title Dimensions PowerCombi 12/1200-50 120V	
Drawn	Name H. F. Dekker	Signature	Date 2020-03-27	Dwg. nr.:	10000017080
Chk'd				Project:	
Appr'd					
Mfg			Color:		
Q.A			Weight:		

A3